

VT104-N1CT



Summary

1. Build in USB host and USB client
2. IP65F Equivalent Front Panel with Function Keys.
3. Built-in Fan less, Reliable and High Function RISC 32-bits CPU.
4. Provides CCFL backlight / LED backlight / Color TFT LCD.
5. Provides standard 128KB battery backup memory for Alarm , Recipe , Data Recording Using (Max.: 1MB).
6. Supports Multi-Languages , Unicode & BMP , JPG , GIF graphic formats.
7. Provides accommodative Software, PanelMaster .
8. Customize Logo / Membrane Design and BIOS for users.
9. High Quality Control and 100% Product Test.

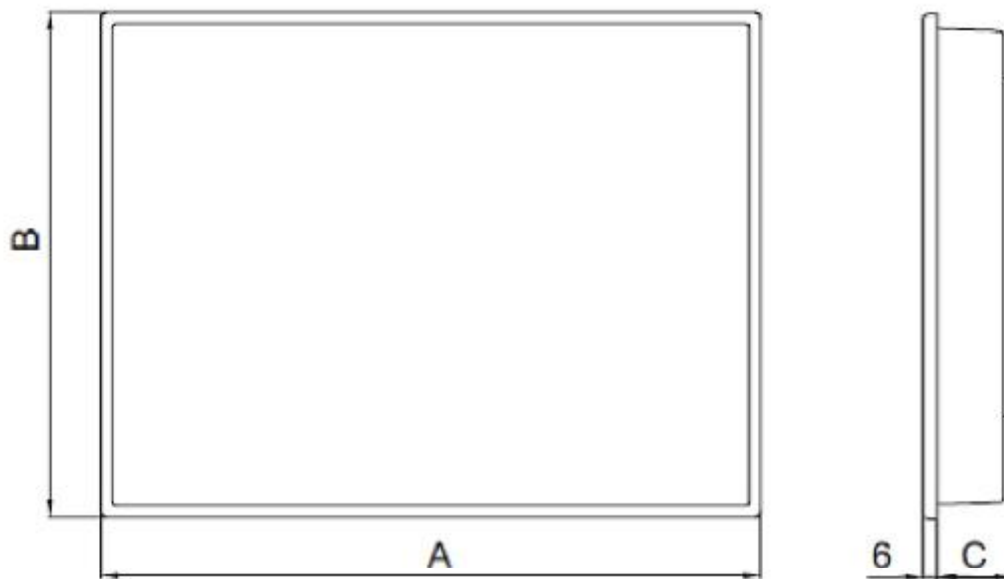


SPECIFICATIONS

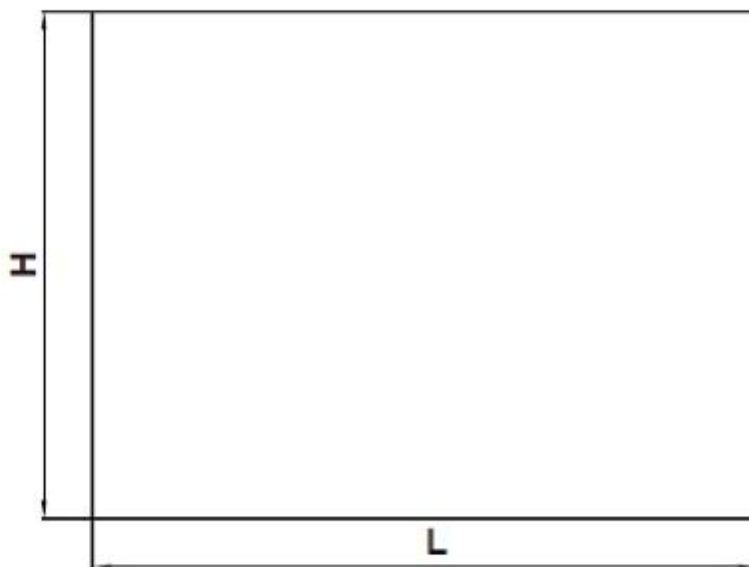
	Content	VT104-N1CT-N
Display	Size	10.4"
	Resolution	800×600
	Display type	TFT
	Backlight service life	20000 hours
	Brightness	400cd/m2
	Touch screen	4-wire resistive touch screen
	Backlight module	LED
Hardware resources	Processor	32 bits RISC SOC integrated graphics accelerator
	Processing speed	200MHz
	Memory	64M
	Battery backup memory	128KB
	Flash program memory	8M+ 128MB NAND Flash
Interface	Ethernet port	NO
	USB interface	1 HOST, 1 Device
	Print interface	YES
	Serial interface	COM1 : RS232/422/485 COM2 : RS232/485 COM3 : RS232
	Micro SD card slot	YES
Power supply	Input power	24VDC±10%
	Power consumption	20W
Environment	Operating temperature	-10°C~50°C
	Relative humidity	10%~90%RH (no condensation)
	Protection class	NEMA 4/IP65 (front panel)
	Safety certification	CE/FCC

DIMENSIONS

Outlet Dimension



Cut Out Dimension

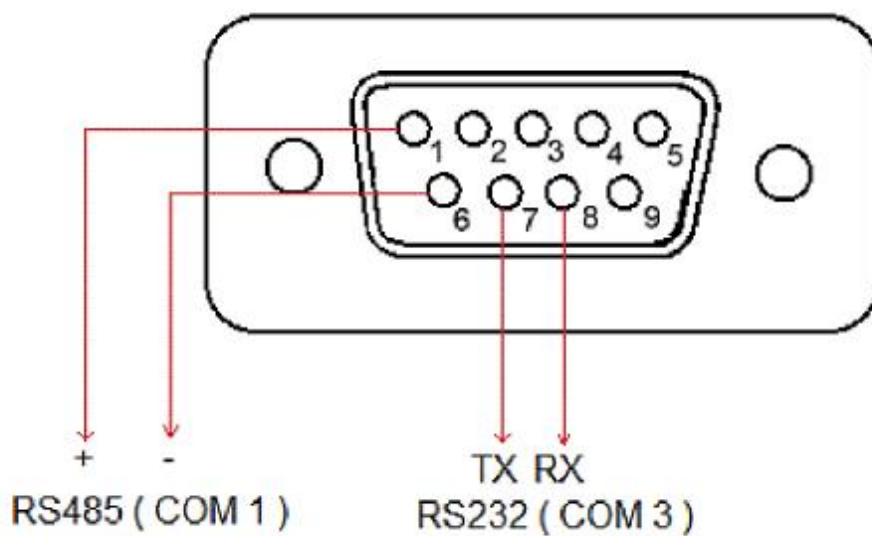


Model	A (mm)	B (mm)	C (mm)	L (mm)	H (mm)
VT104-N1CT	270.1	212.1	38	259	201

Hardware Connection

COM 1 & COM 3 :

COM 1/3 (DB-9-Female)	
Pin	Description
1	RS422 TXD+/RS485+
2	RS232 RXD
3	RS232 TXD
4	RS422 RXD+
5	GND
6	RS422 TXD-/RS485-
7	RS232 TXD
8	RS232 RXD
9	RS422 RXD-



COM 2 :

COM 2 (5 Pin)	
Pin	Description
1	RS485+
2	RS485-
3	RS232 TXD
4	RS232 RXD
5	SG

